



MST
MAX SPEED TECHNOLOGY

FSX-D VIP

1/10 SCALE RC 2/4WD HIGH PERFORMANCE DRIFT CAR

EXPLODED MANUAL

ON ROAD USE ONLY
FULL BALL BEARINGS

WHEELBASE: STANDARD 257mm (adjustable)
WIDTH: STANDARD 190mm (adjustable)
GEAR RATIO: 1.89 (34T/18T)
CASTER: 12 degrees variableness
CAMBER: 0 to -12 degrees
CS RATIO: 1.32

※The GYRO to 2WD way is additional required!
(841002 LSD 2.0 RS GYRO)

www.rc-mst.com

※SPECIFICATION ARE SUBJECT TO CHANGE WITHOUT NOTICE

FSX-D VIP

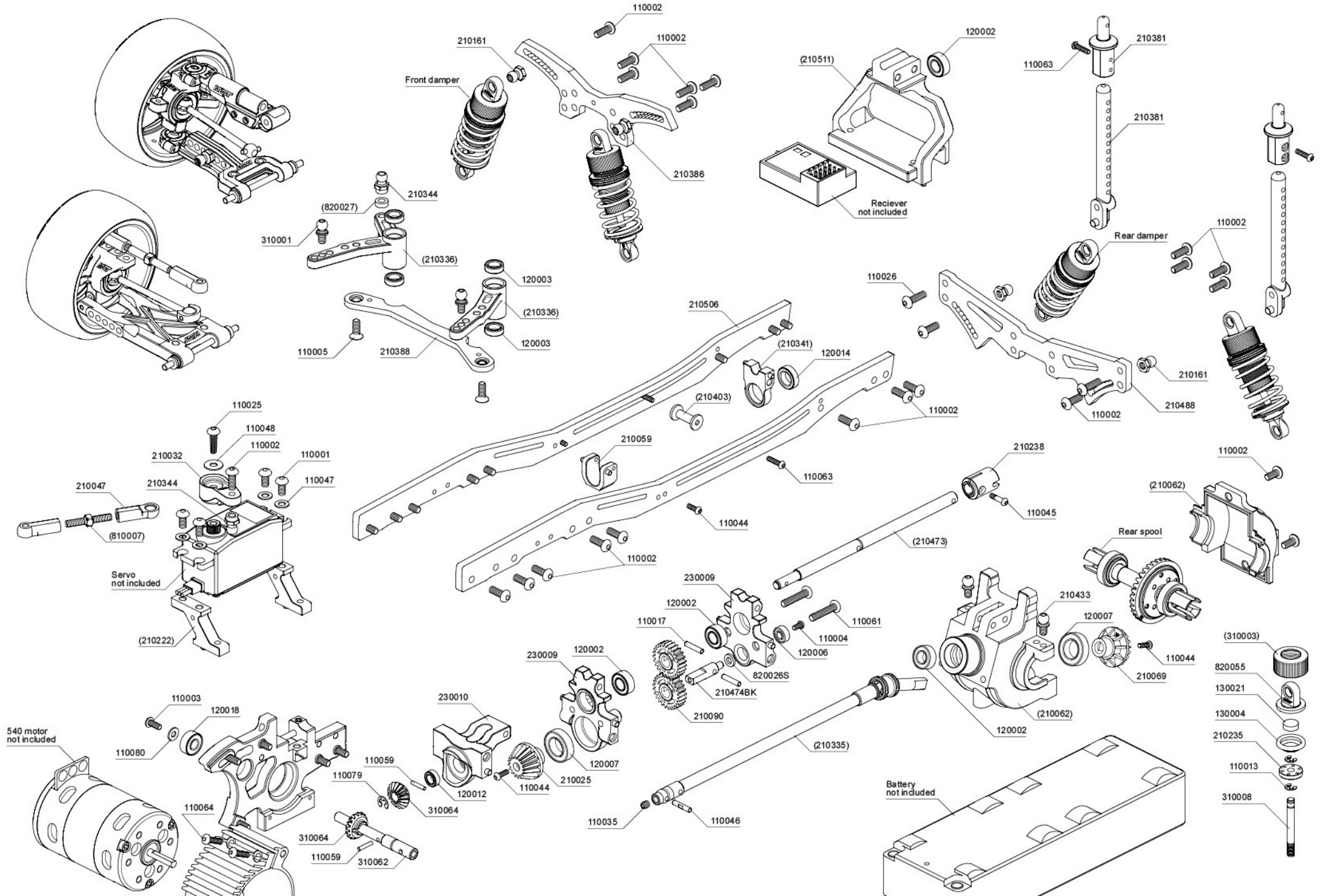
1/10 SCALE RC 2/4WD HIGH PERFORMANCE DRIFT CAR

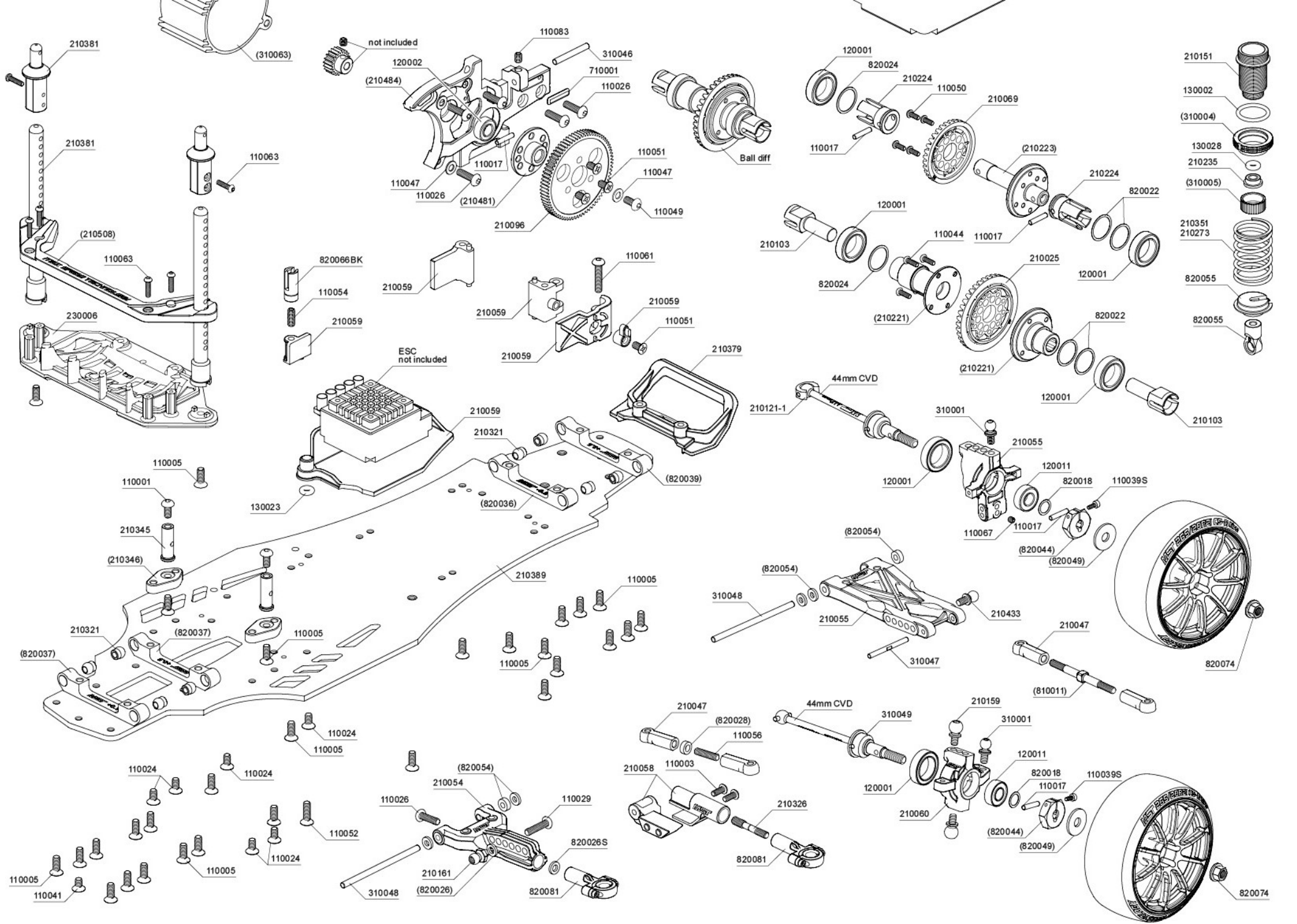
EXPLODED VIEW

Please add color remark for () part number.
e.g. 210123R for Red (210123)
請增加顏色標示在 () 編號
例: 210123R for 紅色 (210123)

Color 顏色	Red 紅
Remark 標示	R

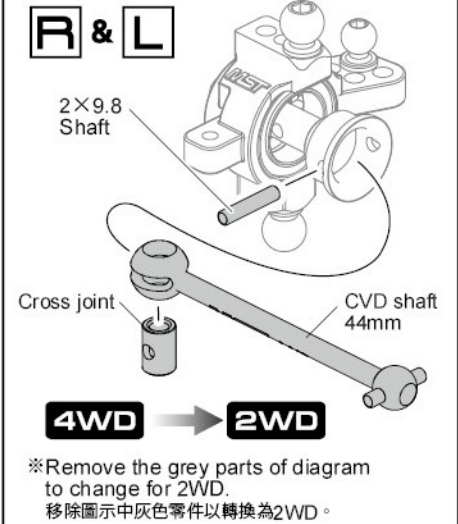
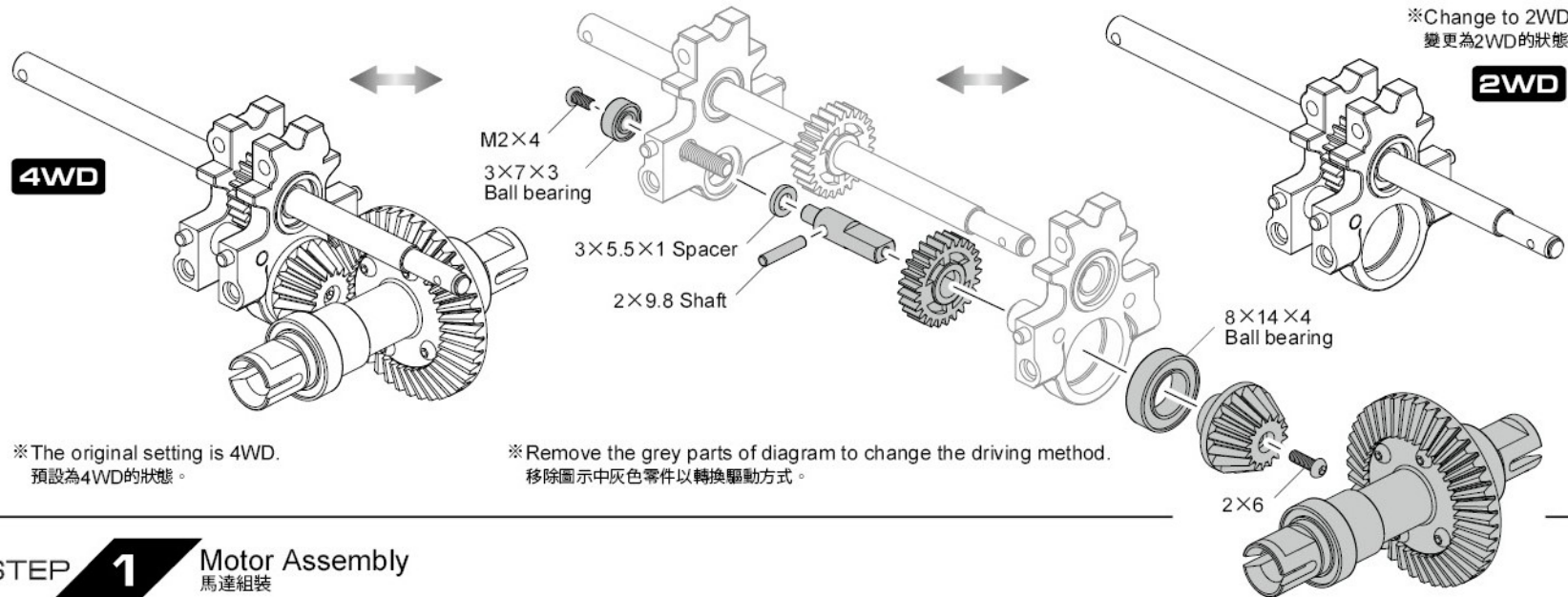
MST
MAX SPEED TECHNOLOGY





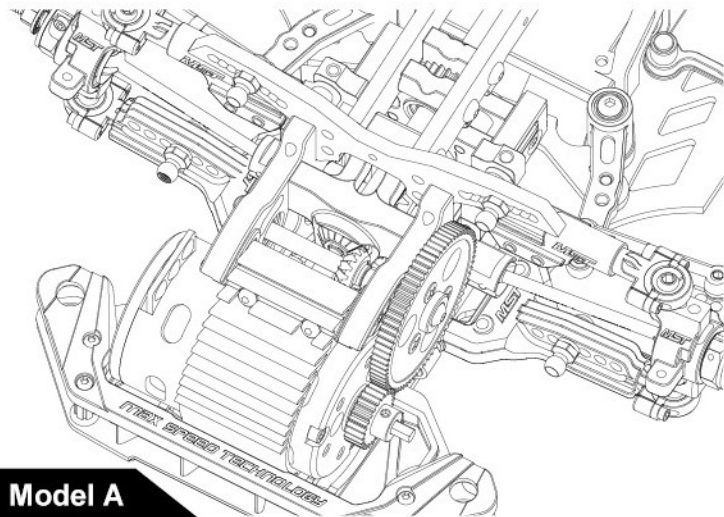
! FSX-D VIP has 4WD/ 2WD driving methods for customer's choices. (The original setting is 4WD)
 FSX-D VIP 有4WD/ 2WD 2種驅動方式可供玩家選擇。(原廠預設組裝為4WD)

Please purchase 841002 MST LSD 2.0 RS Gyro and 210353 Alum. ball diff. for 2WD conversion.
 如欲變更為2WD，請另行購買MST陀螺儀(841002)和滾珠差速組(210353)。



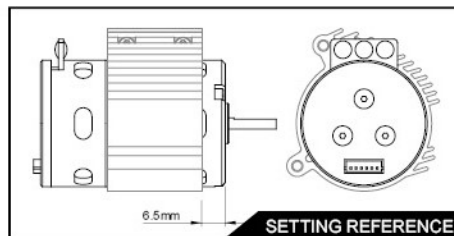
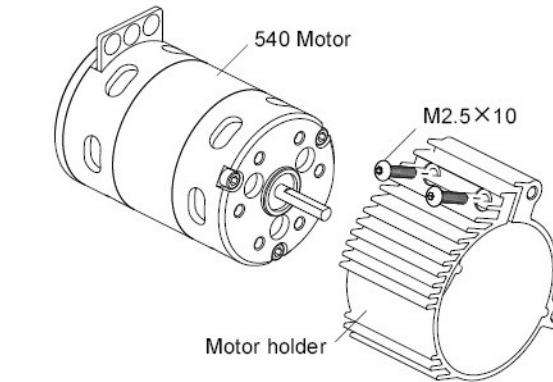
STEP 1 Motor Assembly
馬達組裝

! This conversion offers 2 assembly methods for different control features.
 此套件可依不同的操控特性有二種馬達安裝方式。

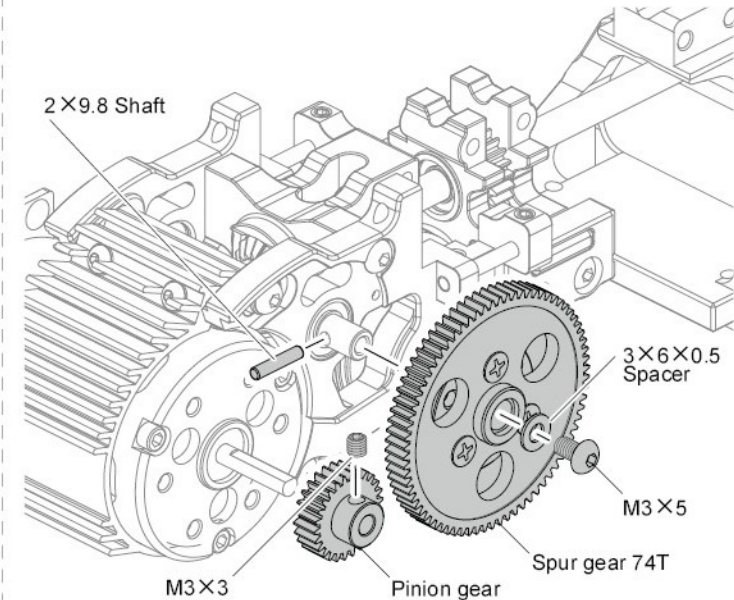


Model A
For Sensitive function.
此方式操控較靈敏

STEP 1 Motor holder assembly
馬達座組裝



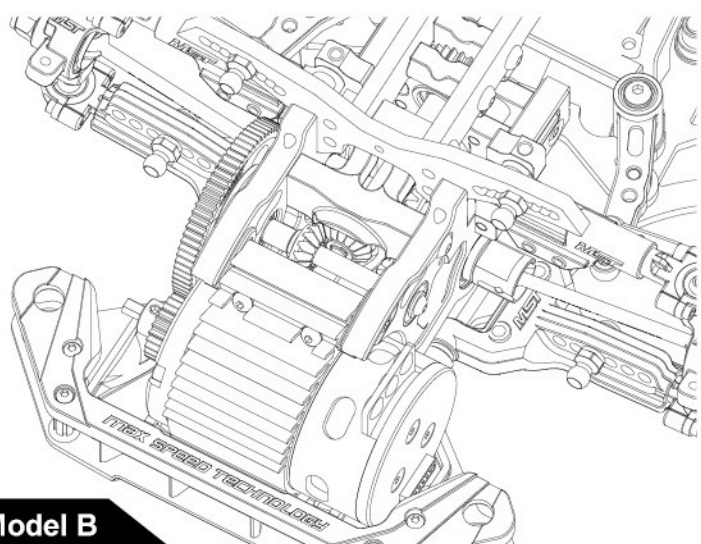
STEP 2 Attaching spur gear
安裝大齒盤





This conversion offers 2 assembly options for different control features.

此套件可依不同的操控特性有二種馬達安裝方式。

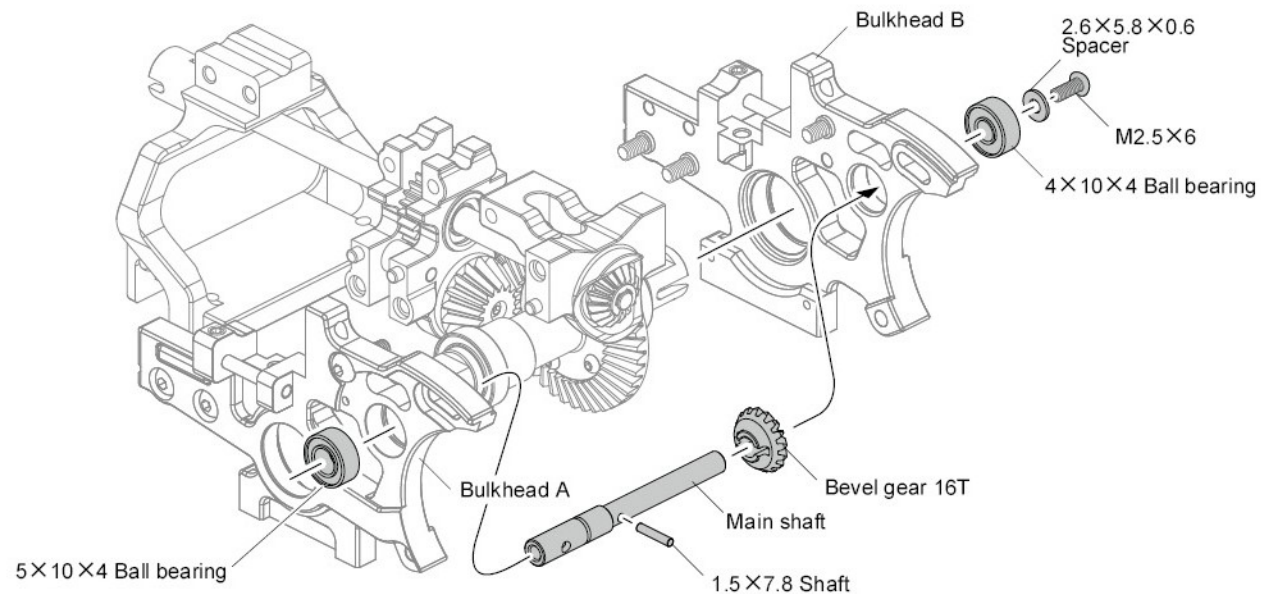


Model B

For Stable function.
此方式操控較穩定

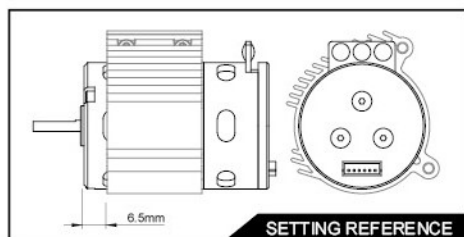
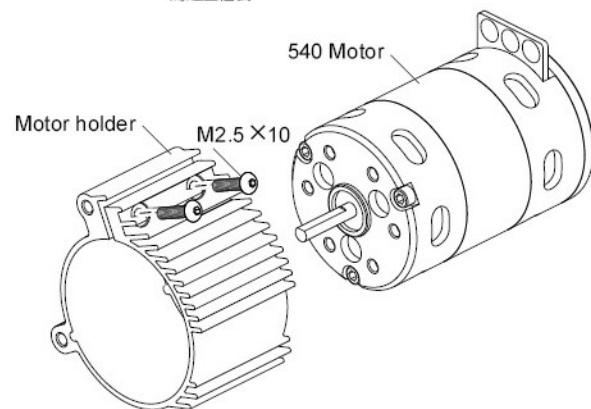
STEP 1 Installing transmitter bevel gear

傳動傘齒組裝



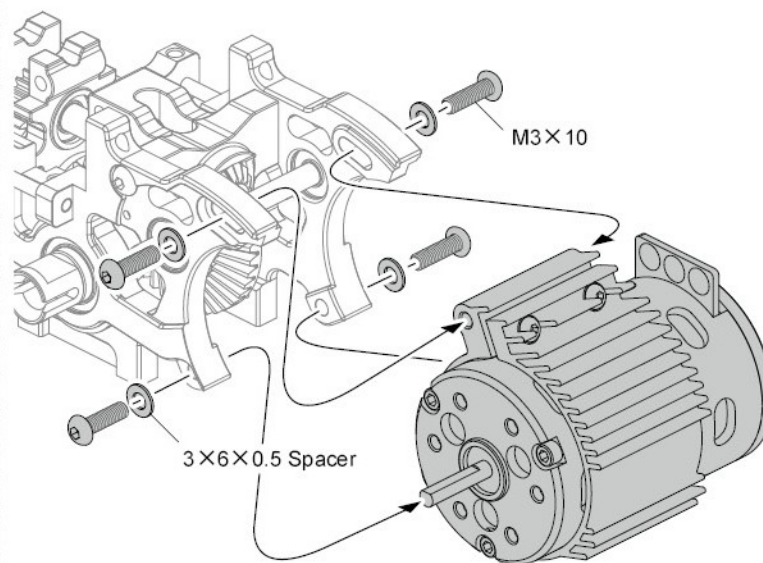
STEP 2 Motor holder assembly

馬達座組裝



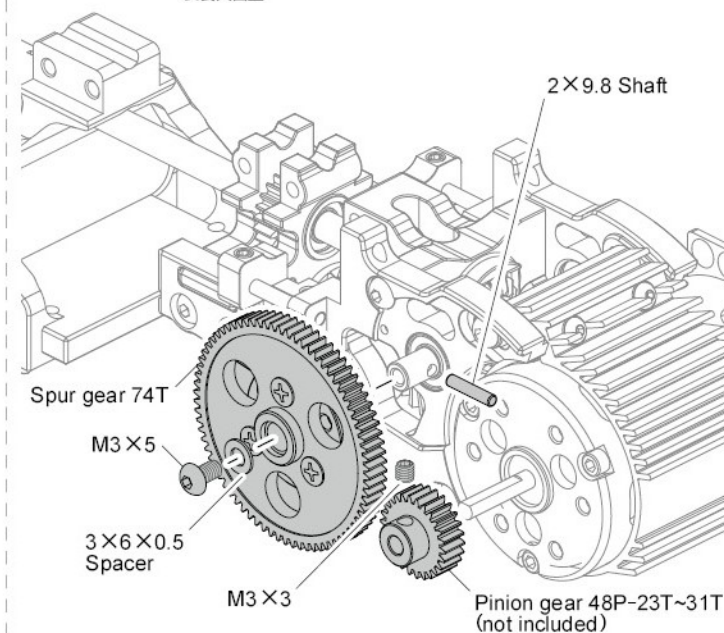
STEP 3 Attaching motor holder

安裝馬達座

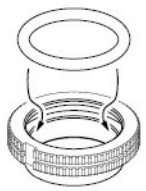


STEP 4 Attaching spur gear

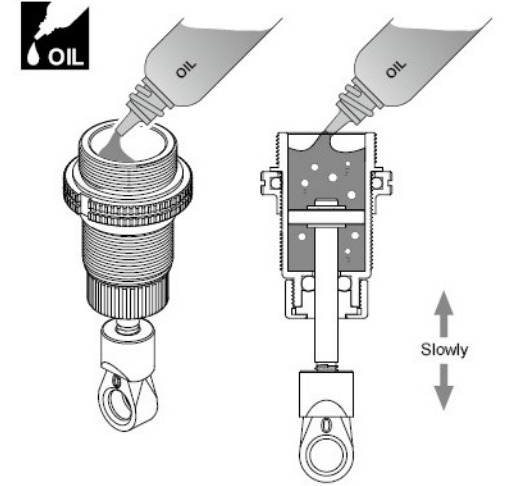
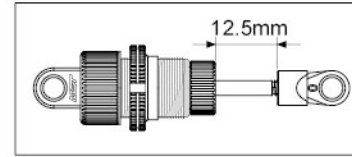
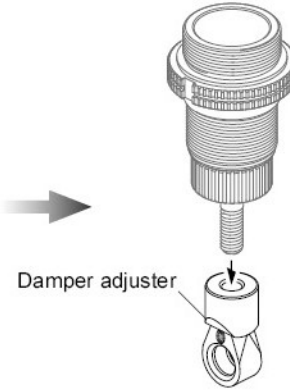
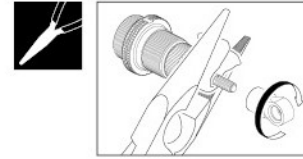
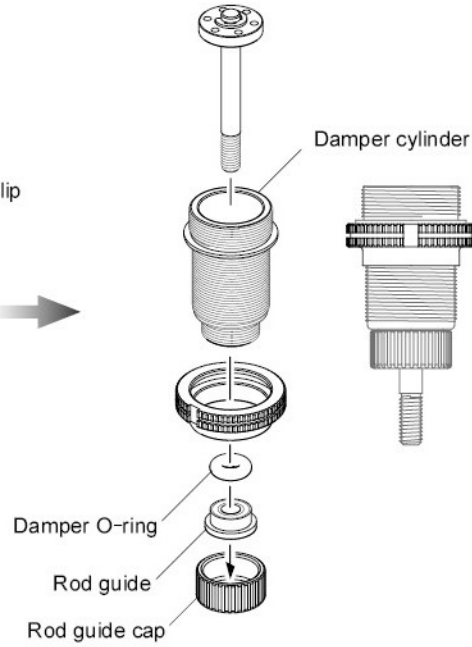
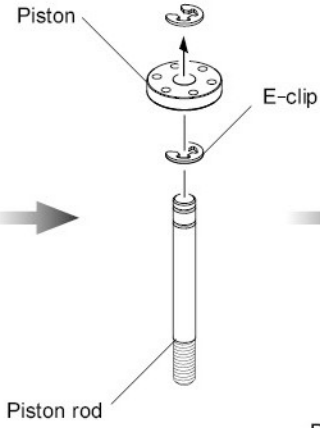
安裝大齒盤



STEP 2 Damper Assembly
避震器組裝

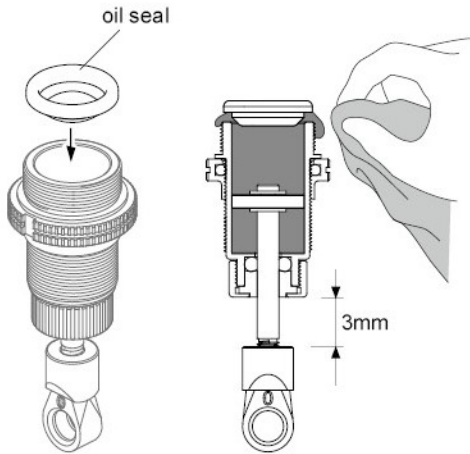
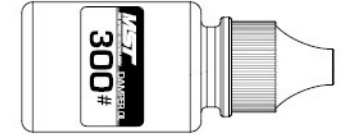


X4
Make 4



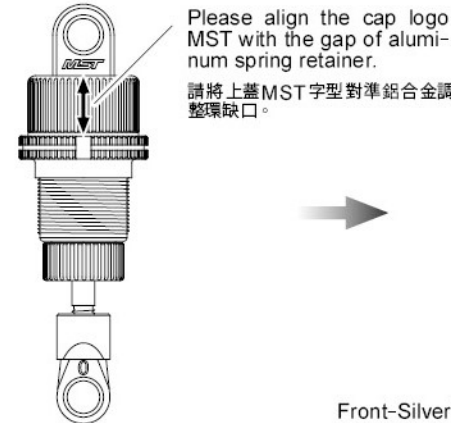
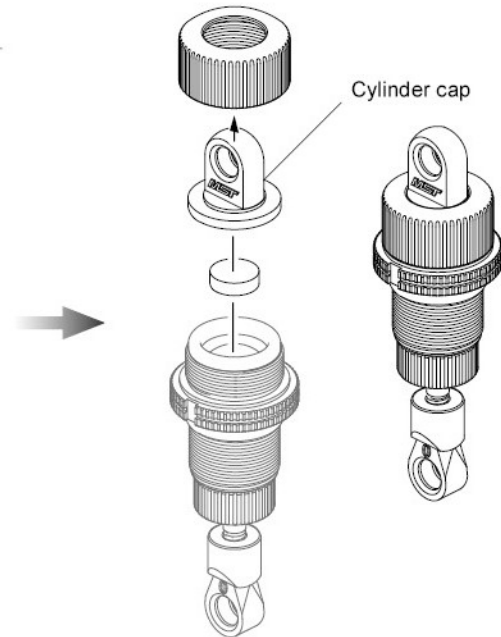
Pull down piston and pour oil into cylinder. Remove air bubbles by slowly moving piston up and down.

拉下活塞並填入砂油，緩慢上下移動活塞將氣泡移除。

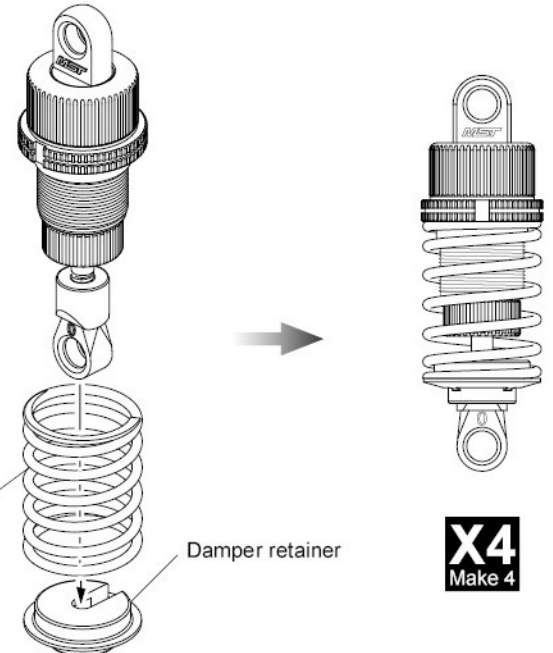


Pull down piston rod 3mm, attach oil seal and absorb oil overflow with tissue paper.

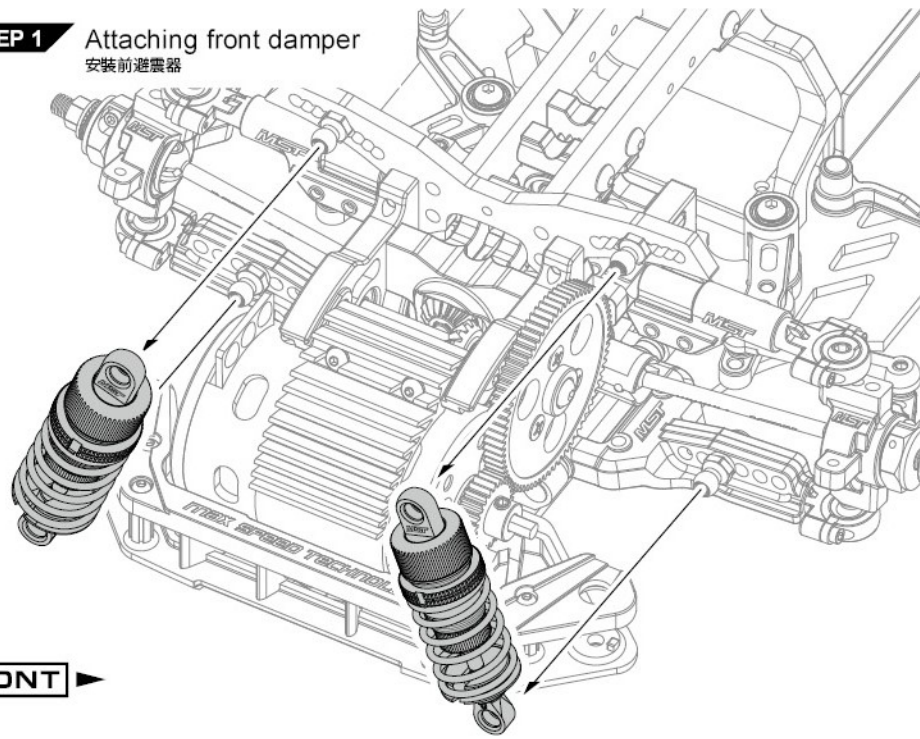
將軸心下拉 3mm 後，蓋上氣室並以面紙拭去溢出的砂油。



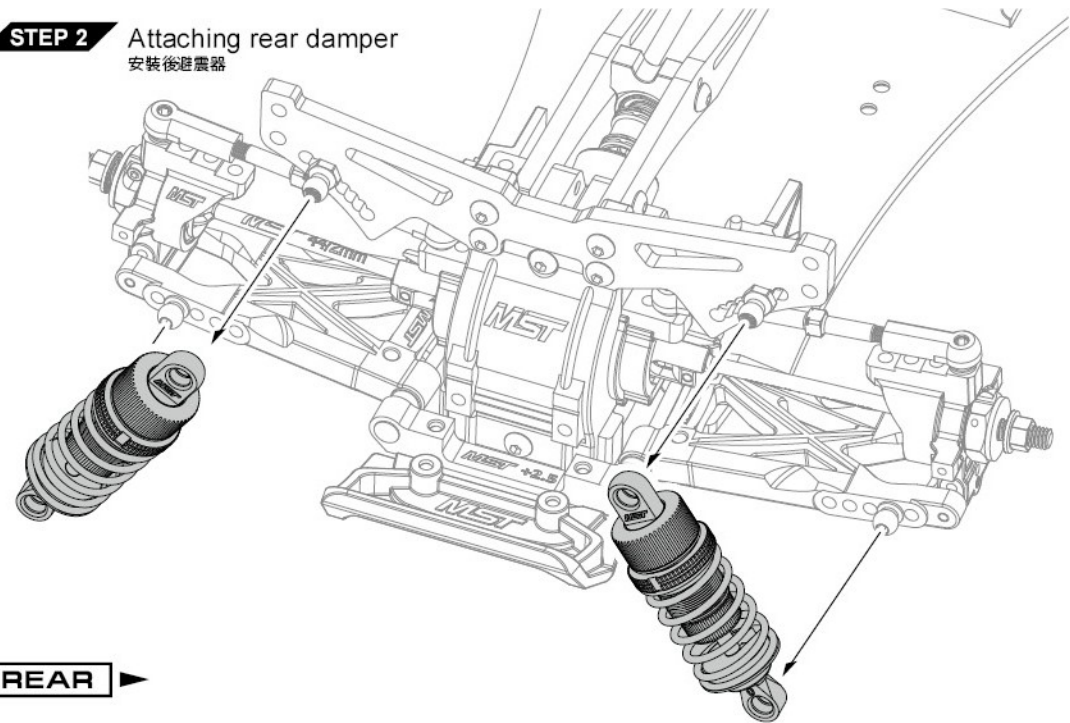
Front-Silver
Rear-Red
前面裝配銀色
後面裝配紅色



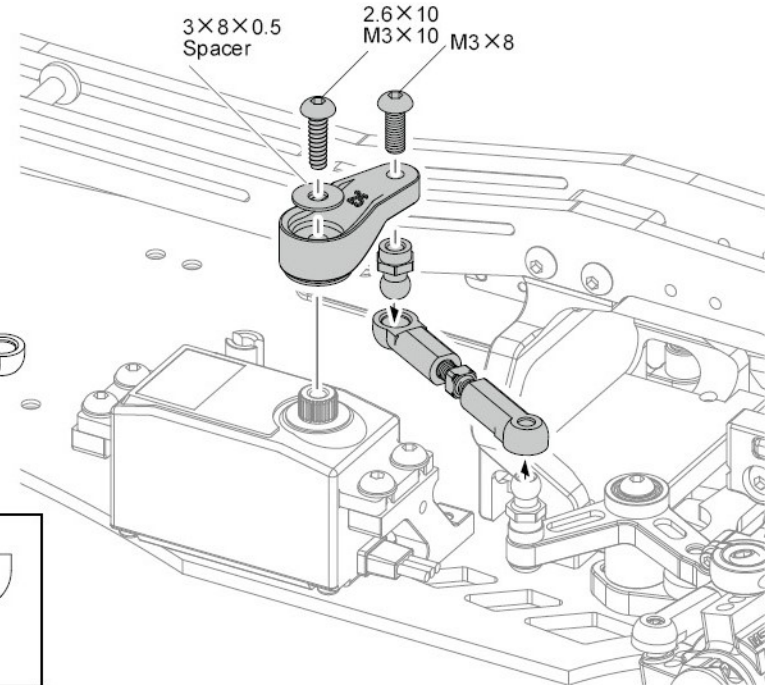
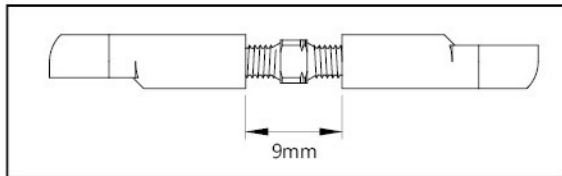
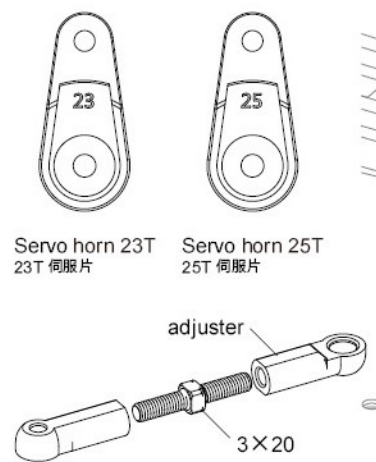
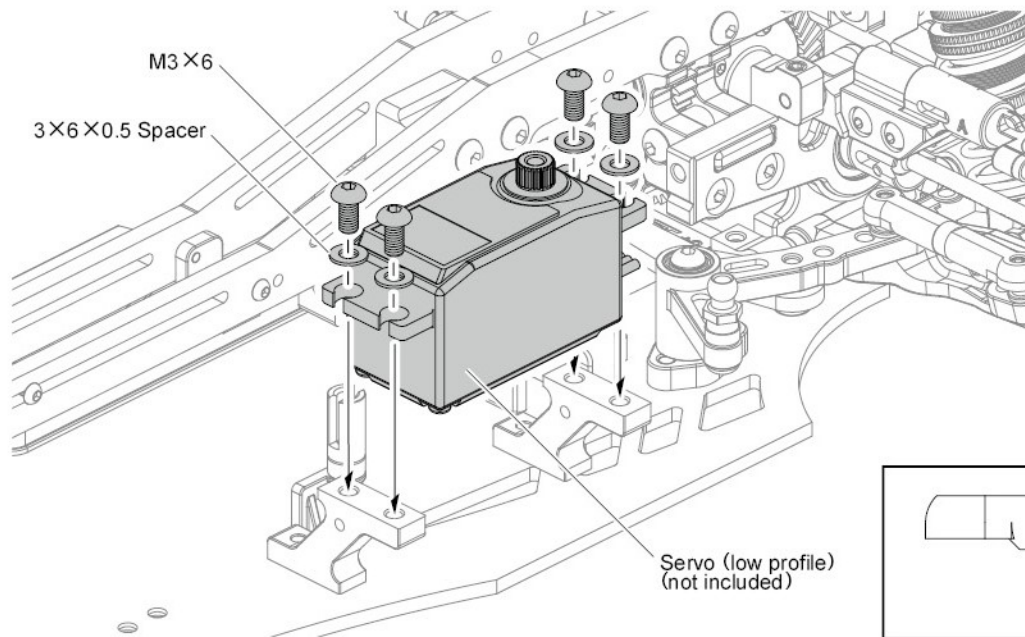
STEP 1 Attaching front damper
安裝前避震器



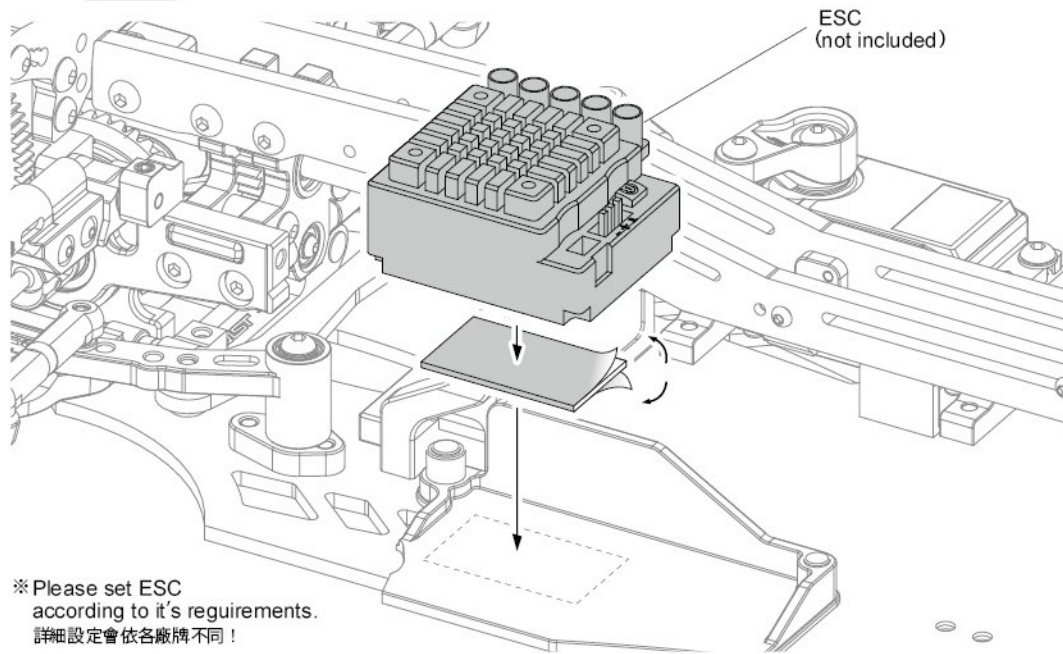
STEP 2 Attaching rear damper
安裝後避震器



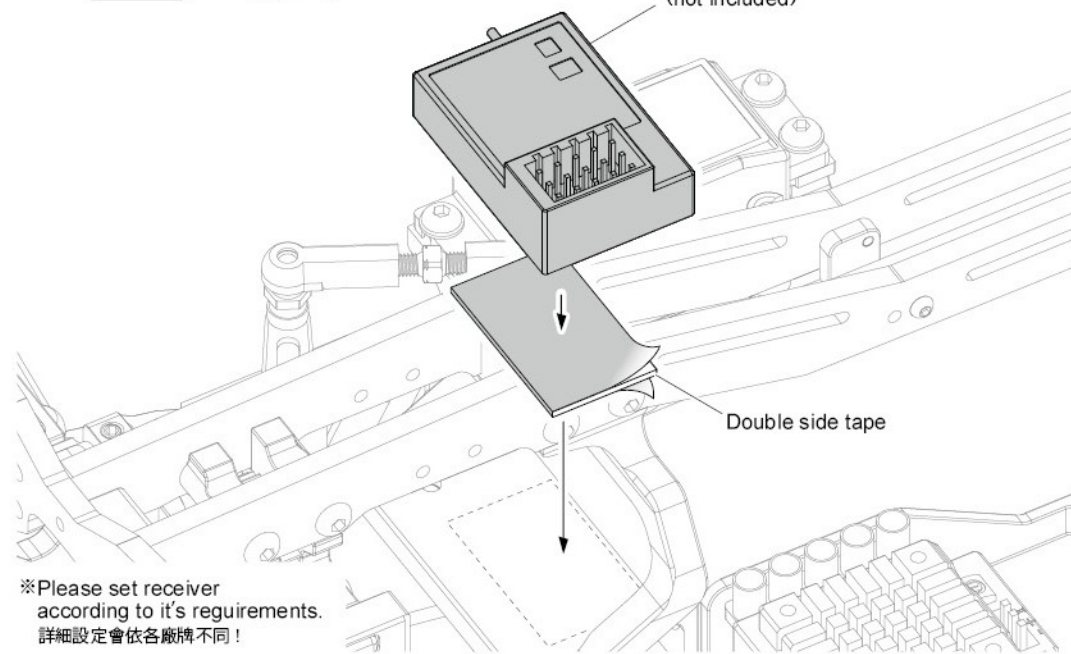
STEP 3 Steering Servo Assembly
轉向伺服組裝



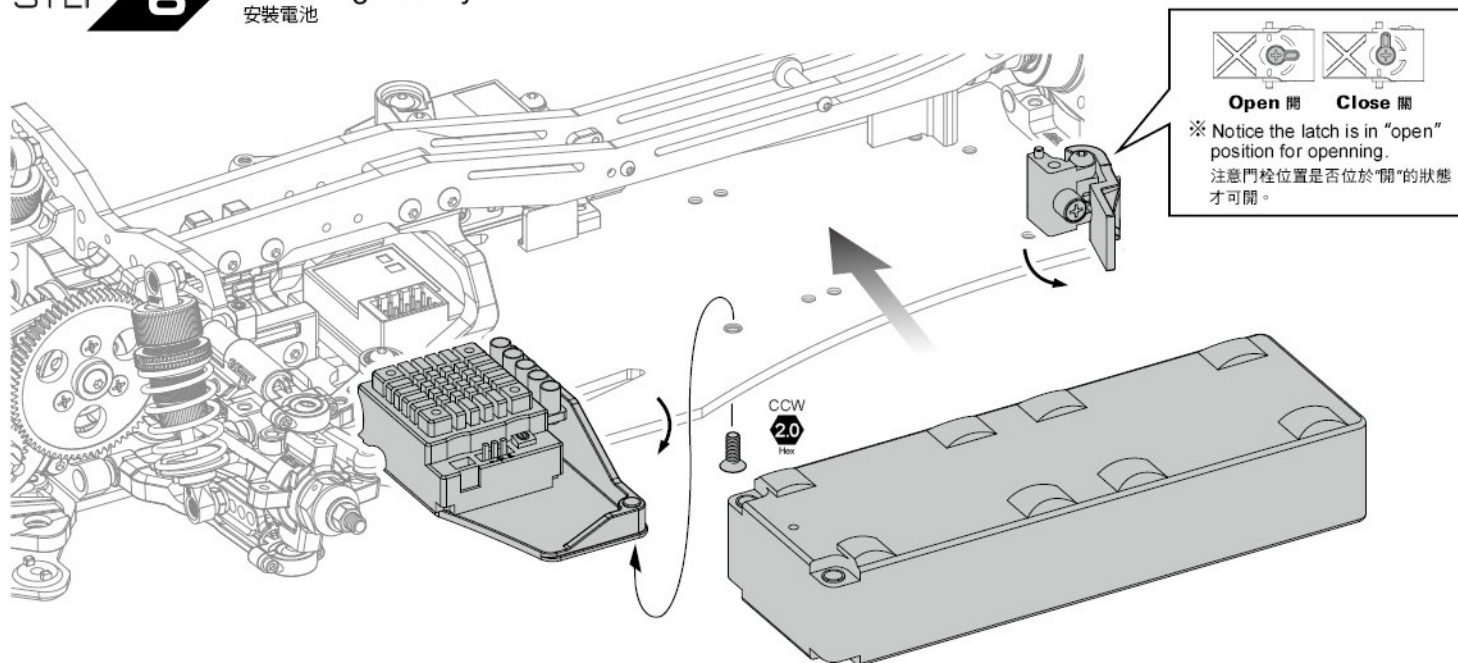
STEP 4 Attaching ESC 安裝電子變速器



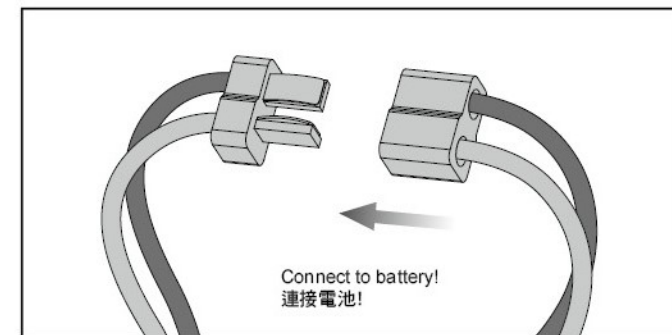
STEP 5 Attaching Receiver 安裝接收器



STEP 6 Attaching Battery 安裝電池

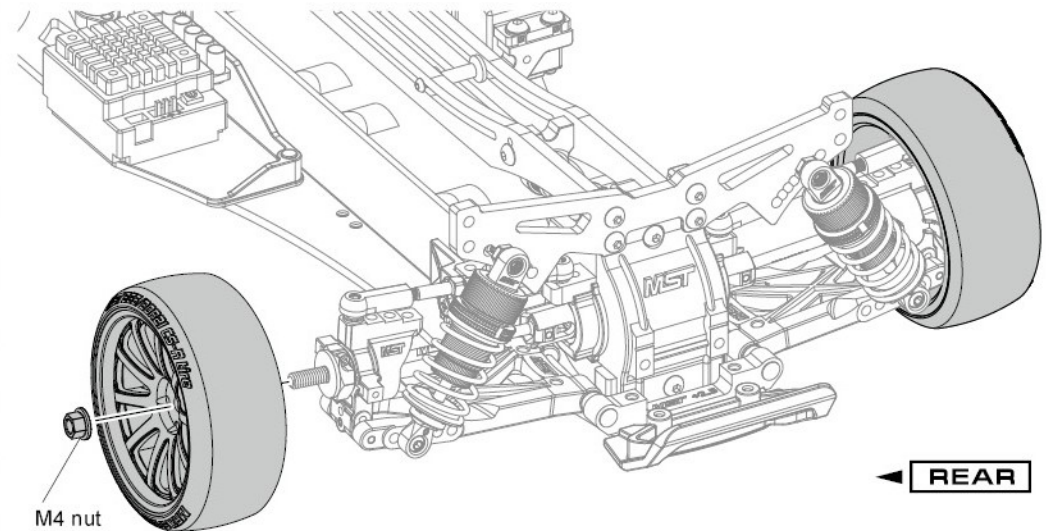
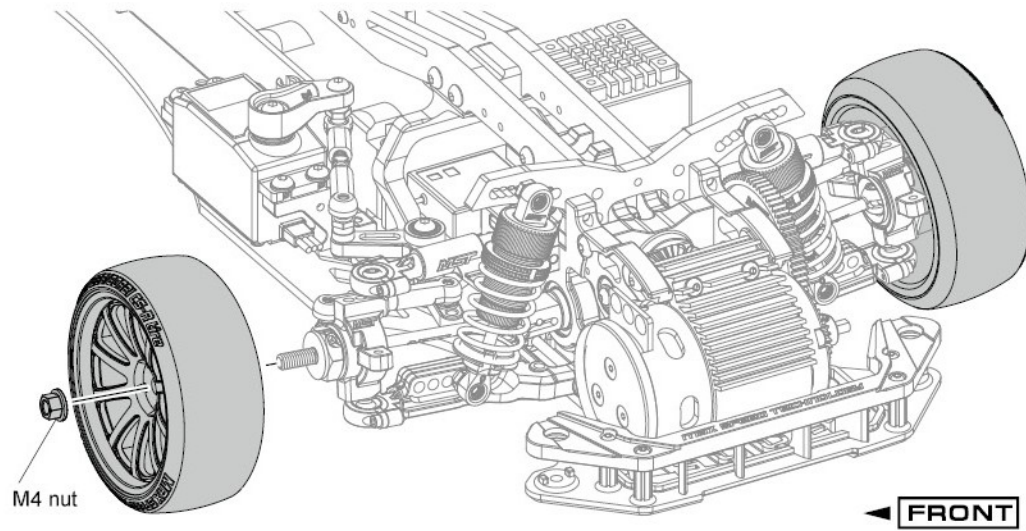


- ※ The assembly and conservation method may be different by specification of battery.
電池的安裝方式會因為廠牌規格而有些微差異，電池的使用方式與保存方式，也會因電池的種類而有所不同。
- ※ Recommended battery measurement L140×W48×H25.4mm (not exceed)
建議安裝長140×寬48×高25.4mm尺寸以內的電池。



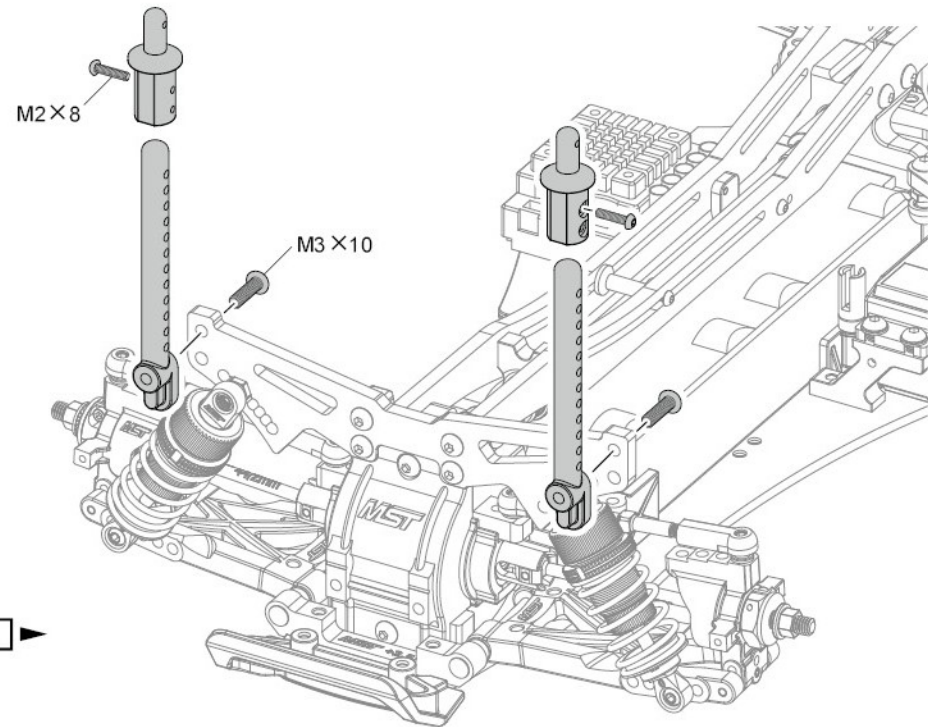
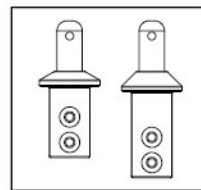
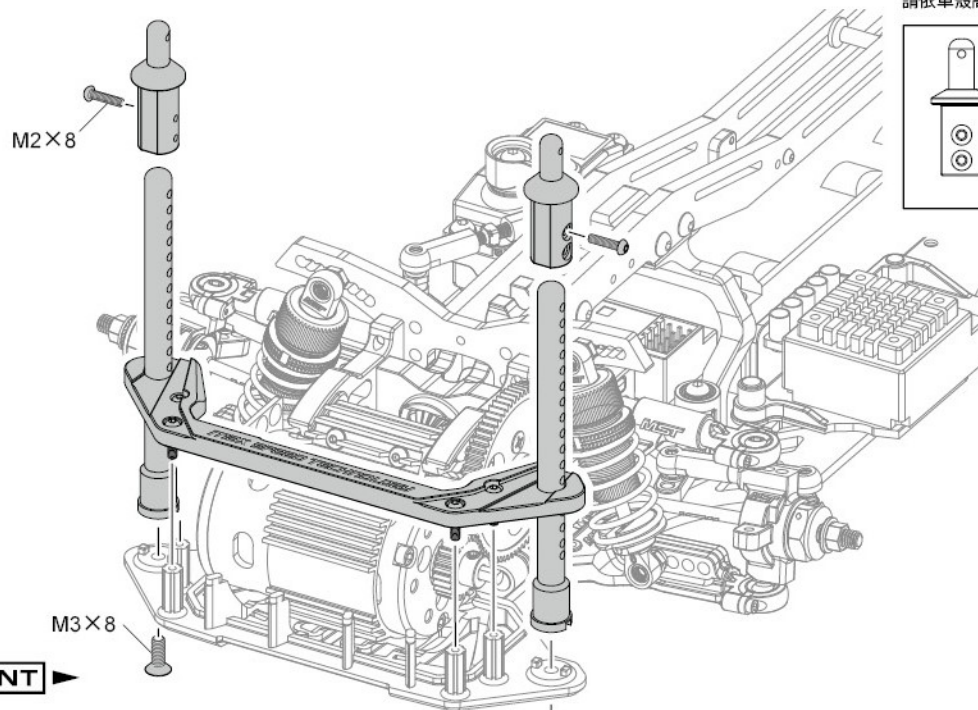
- ※ Please play in safe place after all setting finish.
Before playing, please switch on transmitter then on the car.
Please switch off reversely.
安裝設定完成後，請於安全場所使用本產品！
使用前請先開啟遙控器電源後再開啟車體電源！
使用後請反向操作關閉！

STEP 7 Attaching Tire
安裝車輪




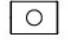







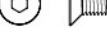

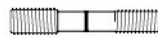


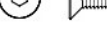




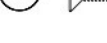




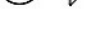

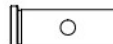




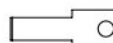




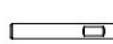
























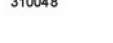
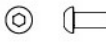




STEP 8 Attaching Body Mounts
安裝車殼固定座

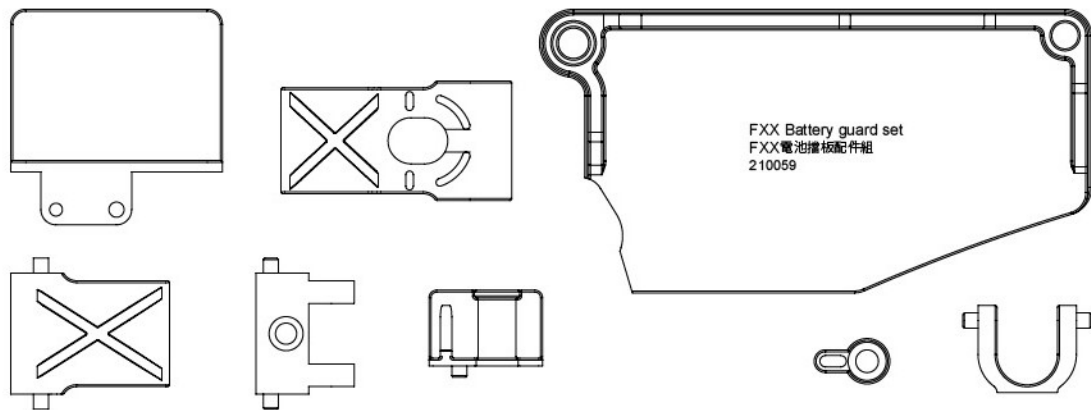
※ Please set the body mounts according to the car body.
請依車殼高度安裝車殼固定座。



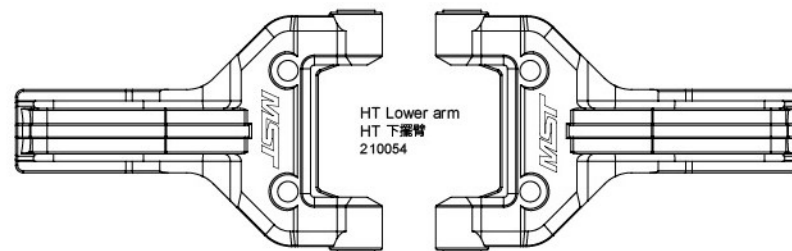
PARTS

	M2×4 Screw ×1 圓頭螺絲 110004		M1.6×4 Screw ×4 有頭螺絲 110039S		3×5.5×1.0 Alum. spacer ×5 鋁墊片 (820026)		Cross joint ×4 連接軸 820030		E-clip 2.5 ×1 E扣 2.5 110079
	M2×5 Screw ×4 圓頭螺絲 110050		M1.6×6 Screw ×8 有頭螺絲 110066S		3×5.5×2.0 Alum. spacer ×1 鋁墊片 (820027)		R-clip 5.0 (black) ×4 R形扣 5.0 (黑) 820075BK		Wheel nut M4 ×4 輪框螺帽 M4 820074
	M2×6 Screw ×10 圓頭螺絲 110044		M3×5 Screw ×1 沉頭螺絲 110041		3×5.5×3.0 Alum. spacer ×2 鋁墊片 (820028)		3×3.5×20 Steel turnbuckle ×2 鋼製可調螺桿 210326		Swing shaft protector ×2 傳動軸套 210121-1
	M2×8 Screw ×10 圓頭螺絲 110063		M3×6 Screw ×6 沉頭螺絲 110024		2.6×5.8×0.6 Spacer ×1 墊片 110080		Alum. antenna pipe mount (black) 鋁合金天線管座 (黑) 820066BK		3×7 Ball bearing ×1 培林 120006
	M2.5×6 Screw ×5 圓頭螺絲 110003		M3×8 Screw ×31 沉頭螺絲 110005		3×6×0.5 Spacer ×10 墊片 110047		Alum. propeller shaft joint 鋁合金中軸接杯 210238		4×7 Ball bearing ×1 培林 120012
	M2.5×10 Screw ×2 圓頭螺絲 110064		M3×10 Screw ×1 沉頭螺絲 110052		3×8×0.5 Spacer ×1 墊片 110048		FXX Alum. steering post ×2 FXX 鋁合金轉向支柱 210345		5×8 Ball bearing ×4 培林 120003
	M3×5 Screw ×1 圓頭螺絲 110049		M3×5 Screw ×4 十字螺絲 110051		5×7×0.1 Spacer ×5 墊片 820018		FSX Alum. drive gear shaft FSX 鋁合金驅動齒軸 210474BK		6×10×3 Ball bearing ×1 培林 120014
	M3×6 Screw ×6 圓頭螺絲 110001		M2.5×2.5 Screw ×2 止付螺絲 110067		10×12×0.1 Spacer ×4 墊片 820022		2.0×22 Arm shaft ×2 擺臂插銷 310047		4×10×4 Ball bearing ×1 培林 120018
	M3×8 Screw ×31 圓頭螺絲 110002		M3×3 Screw ×2 止付螺絲 110035		10×12×0.3 Spacer ×2 墊片 820024		1.5×7.8 Shaft ×2 插銷 110059		5×10 Ball bearing ×5 培林 120002
	M3×10 Screw ×16 圓頭螺絲 110026		M3×4 Screw ×2 止付螺絲 110083		O-ring P3 ×1 O環 P3 130023		2×9.8 Shaft ×13 插銷 110017		5×11 Ball bearing ×4 培林 120011
	M3×12 Screw ×2 圓頭螺絲 110029		M3×8 Screw ×1 止付螺絲 110054		4.8 Ball connector nut ×6 外六角球頭 210161		2.5×20 Arm shaft ×2 擺臂插銷 310046		8×14×4 Ball bearing ×2 培林 120007
	M3×14 Screw ×3 圓頭螺絲 110061		M3×12 Screw ×2 止付螺絲 110056		4.8×4.5 S Ball connector ×4 球頭螺絲 210433		2.5×46 Arm shaft ×4 擺臂插銷 310048		10×15 Ball bearing ×8 培林 120001
	M2.5×10 Screw ×1 自攻螺絲 110025		4.8×4.5 Ball connector ×6 球頭螺絲 310001		4.8 Ball connector nut L ×2 外六角球頭 (長) 210344		FSX Main shaft FSX 主齒軸 310062		
	M2×8 Screw ×1 圓頭螺絲 (半牙) 110045		5.8×4 Ball connector ×4 球頭螺絲 210159		2.5×5 Suspension balls ×8 插銷球頭 210321				

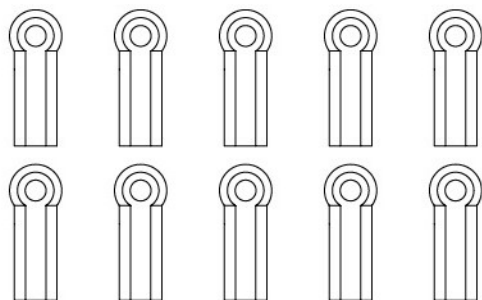
PARTS



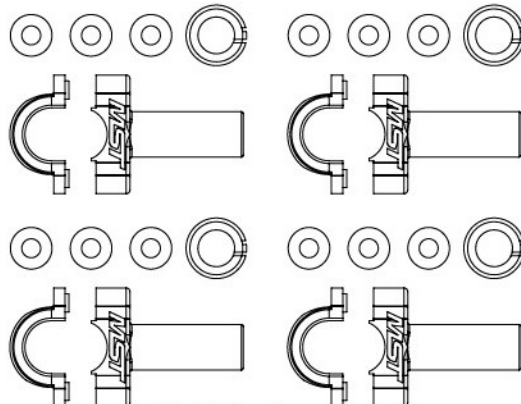
FXX Battery guard set
FXX電池擋板配件組
210059



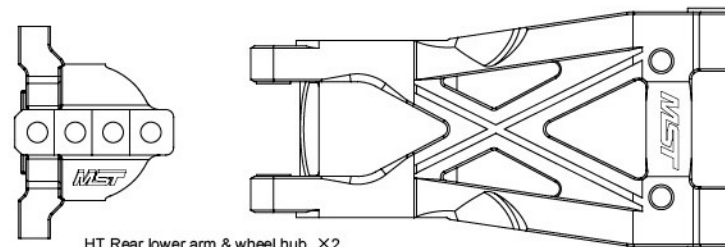
HT Lower arm
HT 下擺臂
210054



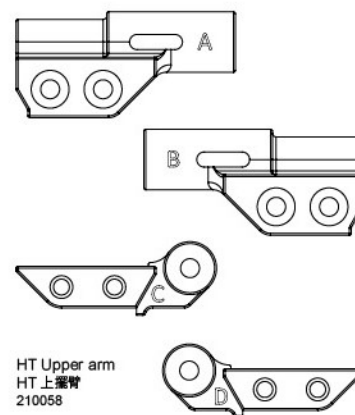
4.8×18 Reinforced adjuster set
強化拉桿頭組
210047



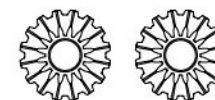
5.8 Adjuster set
調整式拉桿頭組
820081



HT Rear lower arm & wheel hub ×2
HT 後下擺臂 & 輪座
210055

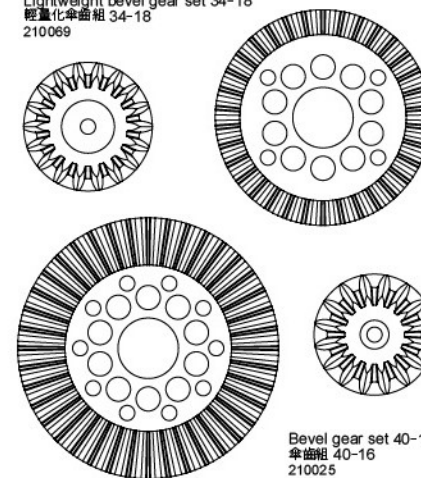


HT Upper arm
HT 上擺臂
210058

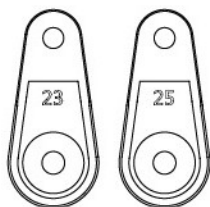


Bevel gear 16T
傘齒16T
310064

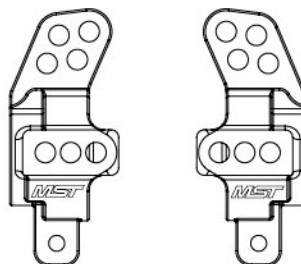
Lightweight bevel gear set 34-18
輕量化傘齒組 34-18
210069



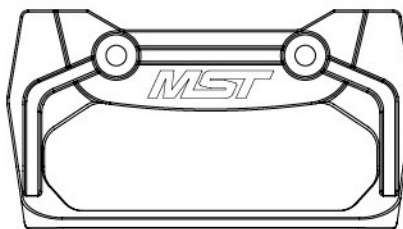
Bevel gear set 40-16
傘齒組 40-16
210025



Servo horn set (23T/25T)
伺服機舵片組 (23T/25T)
210032



KPI Upright set
KPI 輪座組
210060



Rear bumper
後防撞板
210379

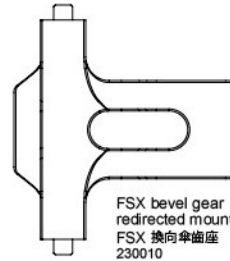


Idler gear M0.6 25T
惰輪 M0.6 25T
210090

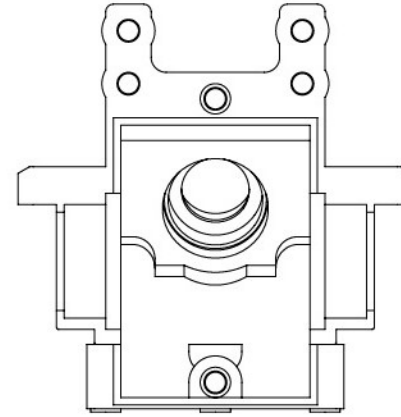
PARTS



FSX Alum. propeller shaft
FSX 鋁合金中傳軸
(210473)

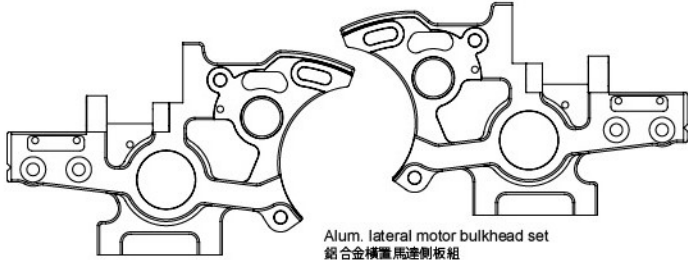
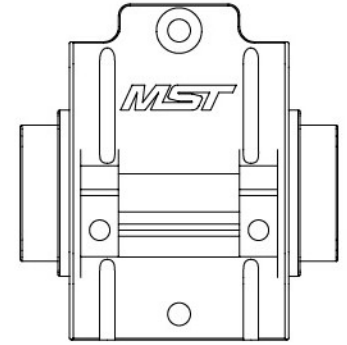


FSX bevel gear
redirected mount
FSX 換向傘齒座
230010

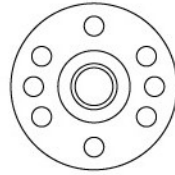


FXX Alum. bearing holder
FXX 鋁合金二種板培架
(210341)

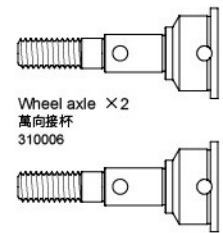
FXX Rear gear box set
FXX 後齒箱組
(210062)



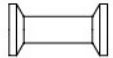
Alum. lateral motor bulkhead set
鋁合金橫置馬達側板組
(210484)



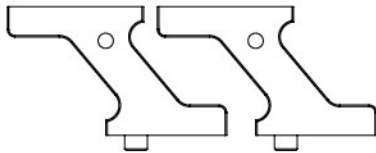
FSX Alum. spur gear holder
FSX 鋁合金大齒盤座
(210481)



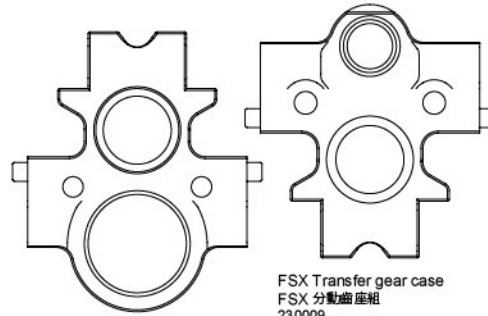
Wheel axle ×2
萬向接杆
310006



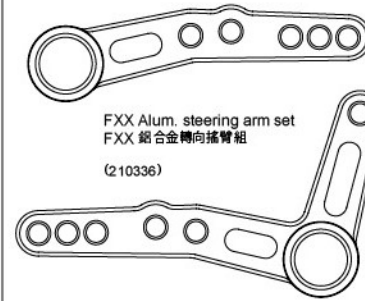
FXX Alum. strengthen post
FXX 鋁合金補強柱
(210403)



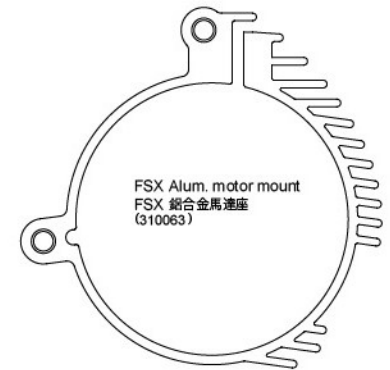
Alum. vertical low profile servo mount
鋁合金立式短型伺服機座
(210222)



FSX Transfer gear case
FSX 分動齒座組
230009



FXX Alum. steering arm set
FXX 鋁合金轉向搖臂組
(210336)



FSX Alum. motor mount
FSX 鋁合金馬達座
(310063)



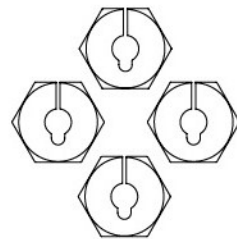
Alum. suspension mount (-0.5)
鋁合金彈簧座 (-0.5)
(820036)



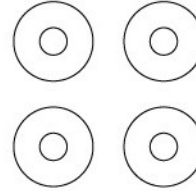
Alum. suspension mount (+0.5) ×2
鋁合金彈簧座 (+0.5)
(820037)



Alum. suspension mount (+2.5)
鋁合金彈簧座 (+2.5)
(820039)



4mm Alum. hex. wheel hubs
鋁合金六角輪座
(820044)



Wheel hub spacer 1.0
輪座墊片 1.0
(820049)



3×20 Alum. reinforced turnbuckle
鋁合金強化可調拉桿
(810007)



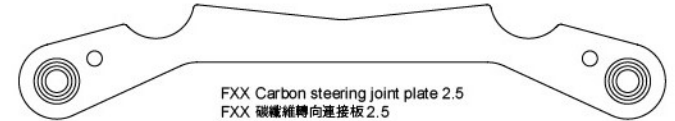
3×40 Alum. reinforced turnbuckle
鋁合金強化可調拉桿
(810011)



44 Steel CVD great angle universal shaft ×2
鋼製大角度CVD傳動軸 44
820005

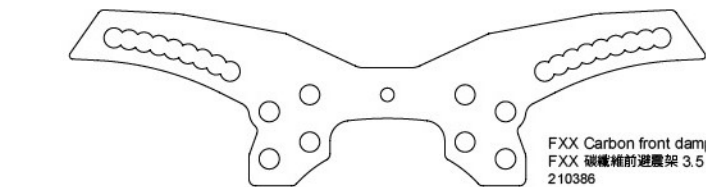


FXX Alum. rear drive shaft set
FXX 鋁合金雙節後軸組
(210335)

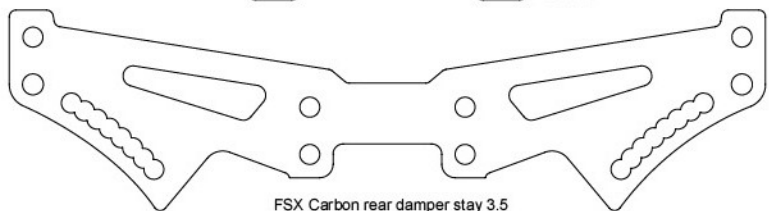


FXX Carbon steering joint plate 2.5
FXX 碳纖維轉向連接板 2.5
210388

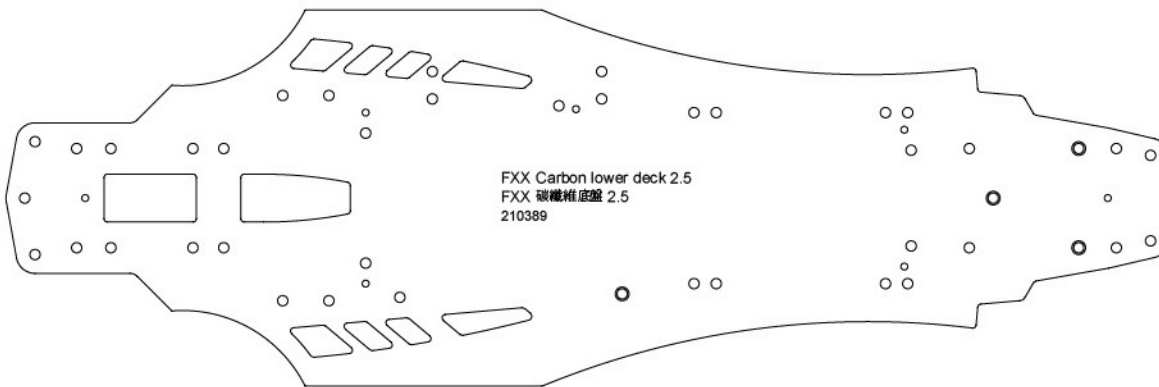
PARTS



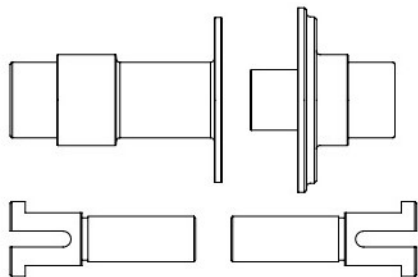
FXX Carbon front damper stay 3.5
FXX 碳纖維前避震架 3.5
210386



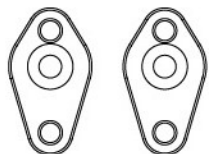
FSX Carbon rear damper stay 3.5
FSX 碳纖維後避震架 3.5
210488



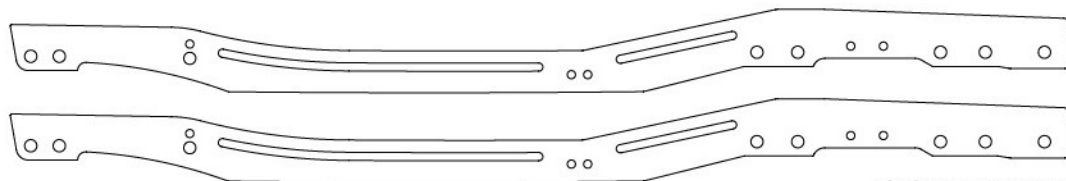
FXX Carbon lower deck 2.5
FXX 碳纖維底盤 2.5
210389



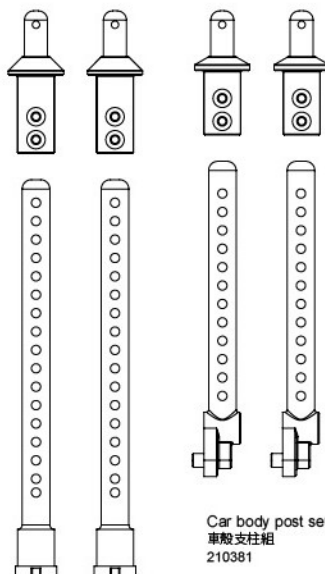
XXX Alum. one way unit (RM)
XXX 鋁合金前單組 (後置)
Q210221



FXX Alum. steering post mount
FXX 鋁合金轉向支柱調整座
(210346)

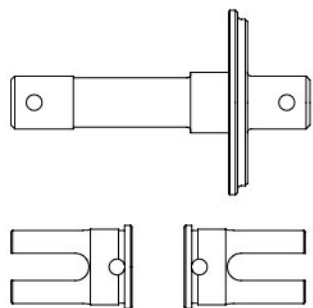
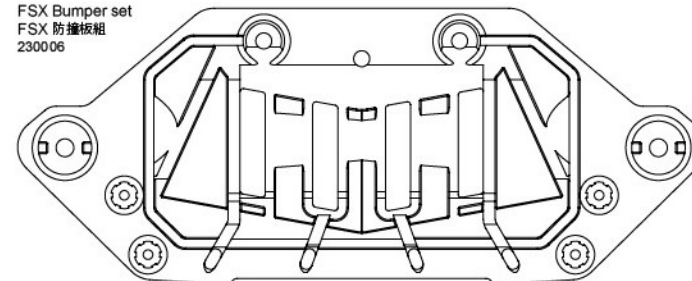


FSX Carbon upper deck 3.5
FSX 碳纖維二樓板 3.5
210506



Car body post set
車殼支柱組
210381

FSX Bumper set
FSX 防撞板組
230006



XXX Alum. spool unit
XXX 鋁合金直軸組
Q210223



FSX Alum. receiver mount
FSX 鋁合金接收機座
(210511)



FSX Alum. bumper support
FSX 鋁合金防撞板
(210508)

PARTS

4mm Alum. turnbuckle wrench
鋁合金拉桿扳手
(210272)

0.05" L Wrench
L 板手
110067

1.5 & 2.0 & 2.5 L Wrench set
L 板手組
130035

Black grease
黑色油膏
130008

MST-PU Sticker ×2
MST-PU貼紙
710001

5.5 & 7.0 Alum. wrench
鋁合金套筒工具
(700003)

Damper oil #300
避震油
130009

29mm Coil spring (hard) (silver)
避震彈簧 (硬) (銀)
210273-1

29mm Soft coil spring (soft) (red)
軟避震彈簧 (軟) (紅)
210351-3

Inner sponge
吸震泡棉
130017

Double sided tape
泡棉雙面膠
130006

20×80×1 Sponge
吸震泡棉
130034

Antenna pipe
天線管
130007

(210115)

11.5×1.5 O-ring ×4
O環
130002

Cylinder cap ×4
避震器上蓋
(310003)

Piston rod ×4
避震器軸心
310008

Oil seal ×4
避震器氣室
130004

Piston spacer set ×4
避震器活瓣片組
210235

Piston spacer set ×4
避震器活瓣片組
210235

Spring retainer ×4
避震器調整環
(310004)

Alum. damper cylinder ×4
鋁合金避震筒身
210151

Rod guide cap ×4
避震器下蓋
(310005)

Damper O-ring P3 (blue) ×4
避震器O環 (藍)
130028

6.5×2 sponge ×4
泡棉
130021

E-clip ×10
E形扣
110013

Reinforced damper plastic maintenance set ×4
強化避震膠件包
820055

CS-R ×4

101024	CS-R tire (soft) (4)	CS-R用尾胎 (軟) (4)
101025	CS-R tire (medium) (4)	CS-R用尾胎 (中) (4)
101026	CS-R tire (hard) (4)	CS-R用尾胎 (硬) (4)
101027	CS-R tire (hardest) (4)	CS-R用尾胎 (超硬) (4)
101028	CS-R tire (harder) (4)	CS-R用尾胎 (高硬) (4)
101029	CS-R tire (HP) (4)	CS-R用尾胎 (HP) (4)
101030	CS-R用尾胎 (for carpet) (4)	CS-R用尾胎 (地毯用) (4)

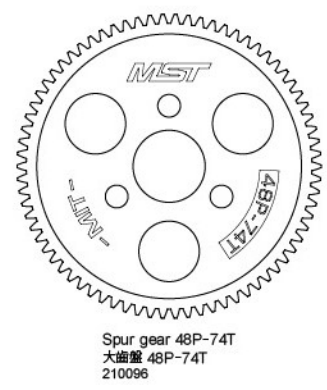
GEAR RATIO 齒比表

For 48P Gear Spur 74T

Pinion Gear 馬達齒	210362 32T/18T 1.78	210069 34T/18T 1.89 Original setting	210034 36T/17T 2.12	210025 40T/16T 2.50
23	5.73	6.08	6.82	8.04
24	5.49	5.83	6.54	7.71
25	5.27	5.59	6.28	7.40
26	5.07	5.38	6.03	7.12
27	4.88	5.18	5.81	6.85
28	4.70	5.00	5.60	6.61
29	4.54	4.82	5.41	6.38
30	4.39	4.66	5.23	6.17
31	4.25	4.51	5.06	5.97

CS RATIO

REAR GEAR BOX 後齒箱	FRONT GEAR BOX 前齒箱				
	2.12 36T/17T	2.50 40T/16T	3.08 40T/13T	3.82 42T/11T	
2nd REDUCTION RATE 二次減速比	PARTS CODE	210034	210025	210035	210036
32T/18T <1.78>	210362	1:1.19	1:1.40	1:1.73	1:2.15
34T/18T <1.89>	210069	1:1.12	1:1.32	1:1.63	1:2.02
36T/17T <2.12>	210034	1:1	1:1.18	1:1.45	1:1.80
40T/16T <2.50>	210025	×	1:1	1:1.23	1:1.53



MST

MAX SPEED TECHNOLOGY

FSX-D VIP
1/10 SCALE RC 2/4WD HIGH PERFORMANCE DRIFT CAR

**EXPLODED
MANUAL**

www.rc-mst.com
[facebook.com/MST.tw]



Max Speed Technology

